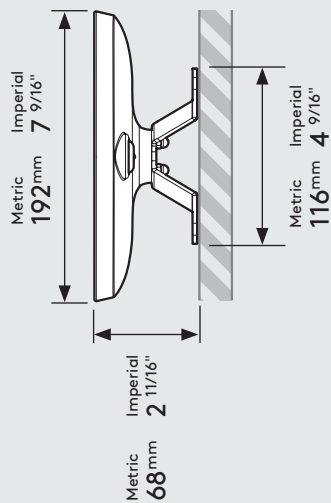
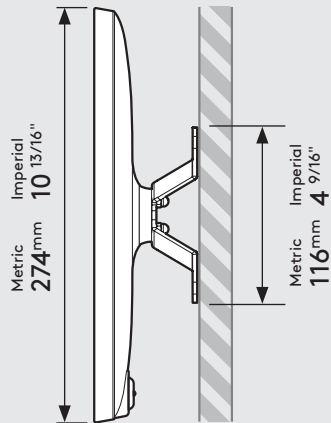


PRODUCT DATA SHEET - VESA (MINI CASE)

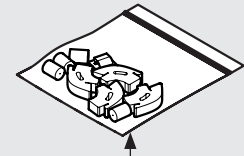
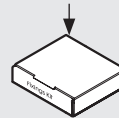
bouncepad[®]

Case:	Arm:	Mounting:	Packaged weight:	Colour:
Mini	Vesa	Not Applicable	1.63kg	White Black



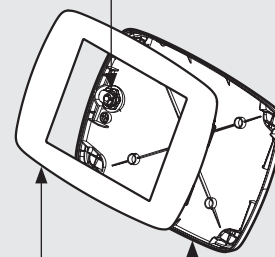
Parts in the Box

Fixings Kit



Tablet Set-up Kit

Case Lock
Brass, Stainless Steel



Faceplate
Powder coated
Stainless Steel

Case
PC/ABS Plastic

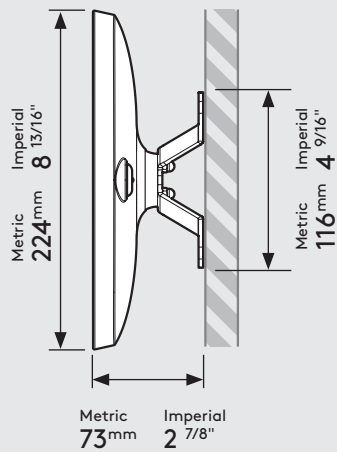
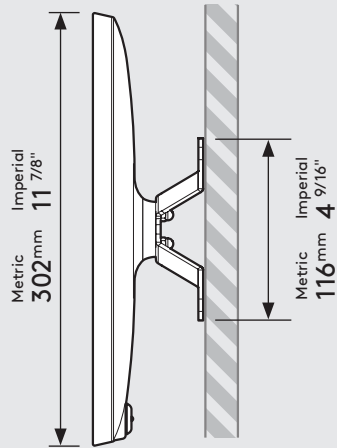


Vesa Mount
Powder coated Steel,
Aluminium

PRODUCT DATA SHEET - VESA (MIDI CASE)

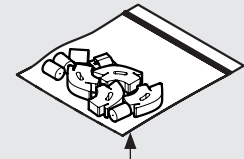
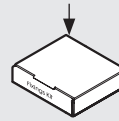
bouncepad®

Case:	Arm:	Mounting:	Packaged weight:	Colour:
Midi	Vesa	Not Applicable	1.81kg	White Black



Parts in the Box

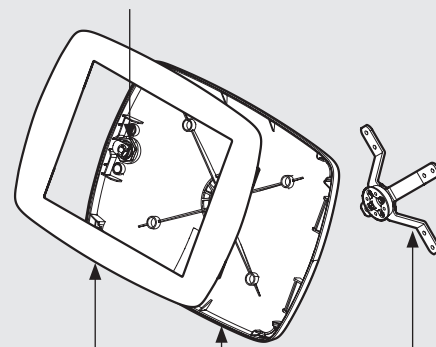
Fixings Kit



Tablet Set-up Kit

Case Lock

Brass, Stainless Steel



Faceplate

Powder coated
Stainless Steel

Case

PC/ABS Plastic

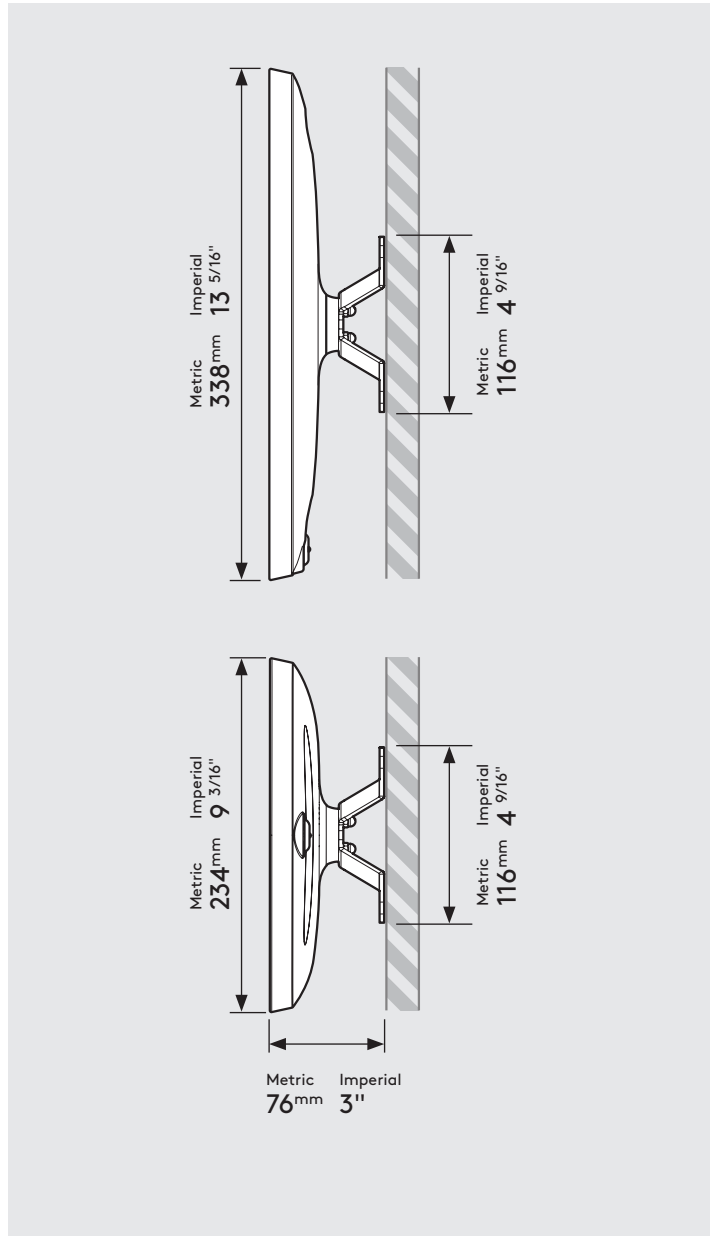
Vesa Mount

Powder coated Steel,
Aluminium

PRODUCT DATA SHEET - VESA (MAXI CASE)

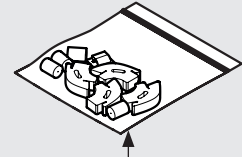
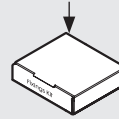
bouncepad®

Case:	Arm:	Mounting:	Packaged weight:	Colour:
Maxi	Vesa	Not Applicable	2.04kg	White Black



Parts in the Box

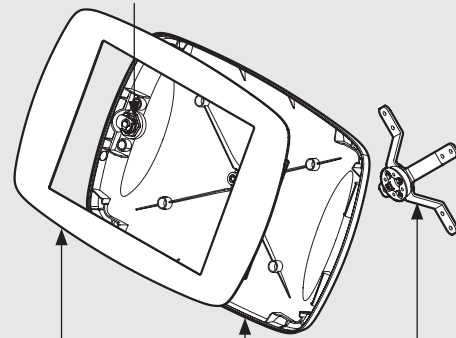
Fixings Kit



Tablet Set-up Kit

Case Lock

Brass, Stainless Steel



Faceplate
Powder coated
Stainless Steel

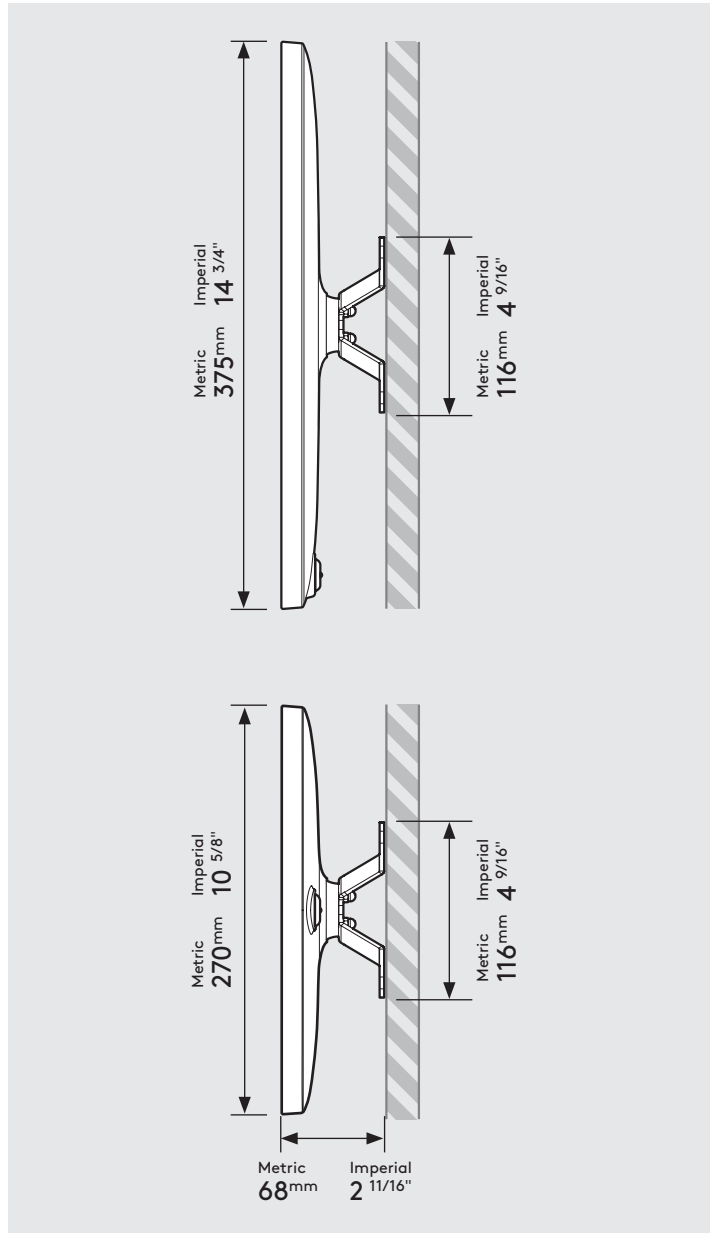
Case
PC/ABS Plastic

Vesa Mount
Powder coated Steel,
Aluminium

PRODUCT DATA SHEET - VESA (MEGA CASE)

bouncepad[®]

Case:	Arm:	Mounting:	Packaged weight:	Colour:
Mega	Vesa	Not Applicable	2.43kg	White Black



Parts in the Box

