

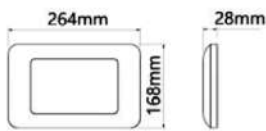
## Specification sheet

The iDisplay anti-theft kiosk is a stylish and flexible way to protect your tablet from theft and damage in an open access area. The modular construction and simple design allows you to mount your tablet however you want; freestanding on the floor, wall mounted, or desk. There are a number of iterations available, and this guide will take you through the various options and how to install them.



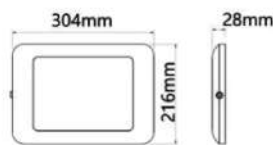
## Tablet Enclosures

There are three sizes of tablet enclosure available, from the iPad Mini all the way up to the 12.9" iPad Pro. The 9" to 11" enclosure offers the most choice of tablet compatibility including Apple, Samsung, and Lenovo. We use an internal 'fit kit' with a specially fitted face plate to allow these various sized tablets to be securely held in place. These fit kits can be swapped out at a later date, allowing you to upgrade your tablet while retaining the same kiosk.



Kiosk Enclosure 7"-9"

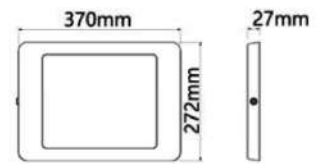
iPad mini 4/5  
Galaxy Tab 4/A 7  
Galaxy Tab Active2 T390/395  
Galaxy Tab A 8 (2019) T290/295  
Lenovo M8 and M8 FHD Plus  
and other popular Tablet models



Kiosk Enclosure 9"-11"

iPad 2/3/4  
iPad 2017/2018 9.7  
iPad Air 1/2  
Galaxy Tab A 9.7  
Galaxy Tab S2 & S3 9.7  
Galaxy Tab E 9.6  
Lenovo Miix 320  
Lenovo M10 /P10  
Lenovo M10 FHD Plus

iPad Air 10.5 / Pro 10.5  
iPad Pro 11  
iPad 10.2  
Galaxy Tab A 9.7  
Galaxy Tab A 10.5  
Galaxy Tab 4 10.1  
Galaxy Tab A / A6 10.1 T580  
Galaxy Tab S4 10.5  
Galaxy Tab A / A6 10.1 T510  
Galaxy Tab A7 10.4 T500  
Galaxy Tab A4 10.5  
Lenovo Tab4 10 / Tab4 10 Plus  
Huawei MediaPad T310  
Huawei MediaPad T5  
and other popular Tablet models



Kiosk Enclosure 11"-13"

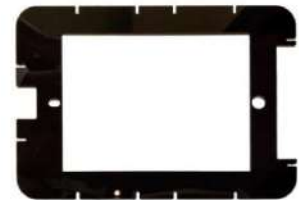
iPad Pro 12.9" gen 3/4  
iPad Pro 12.9" gen 1/2  
Surface Pro 4 12.3  
and other popular Tablet Models

## 'Fit kits' and faceplates

Fit kits and the associated faceplates can be ordered separately, but will usually be bundled with a complete kiosk pack. Faceplates are available with the tablet's camera and home buttons both covered or both open, depending on your security requirements. Fit kits and faceplates can easily be changed at a later date so you don't have to buy a whole new kiosk if you update your tablet.



Fit Kit to hold tablet securely in place

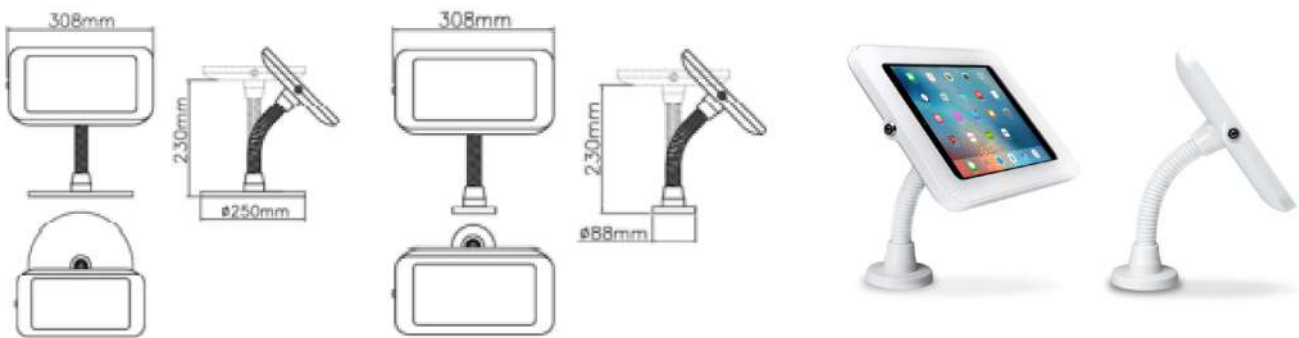


Tablet faceplate

## Mounting options

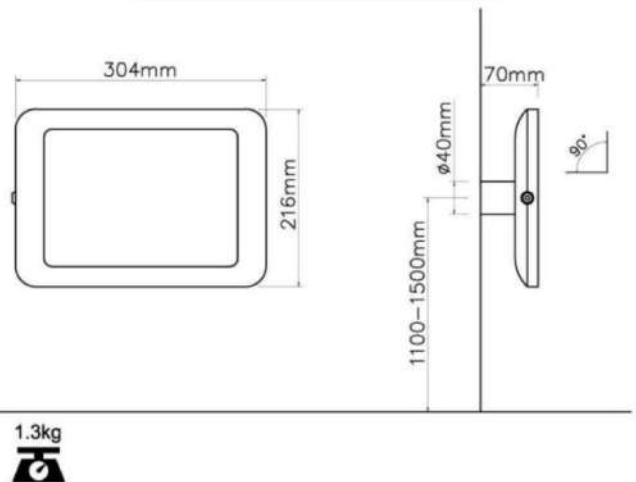
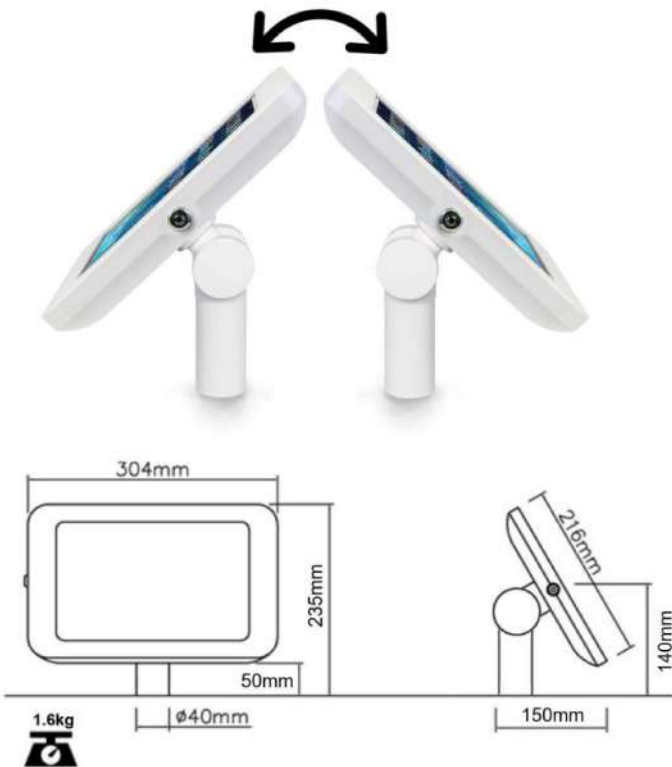
There are various mounting options for all three sizes of tablet enclosure. These are usually sold in a bundle with all of the components required for you to build a complete installation, but can be ordered separately if you wish to modify or upgrade your current kiosk. You can install the tablet onto the mount in a landscape or portrait orientation.

**Flexible 'Gooseneck' mount.** This flexible tube allows for a wide degree of movement, allowing the user to adjust the angle of the screen for their viewing comfort. The display can be bent right over backwards to show a customer the screen for instance. This mount gives huge flexibility when various viewing angles are required.



**Tilt mount.** This strong desk or wall mount allows the tablet to be tilted towards or away from the user. Useful in a retail environment to allow the tablet to be tilted towards the customer for them to inspect the screen. When wall mounted, the screen can be angled to suit users of varying heights. This also allows for easy use by wheelchair users.

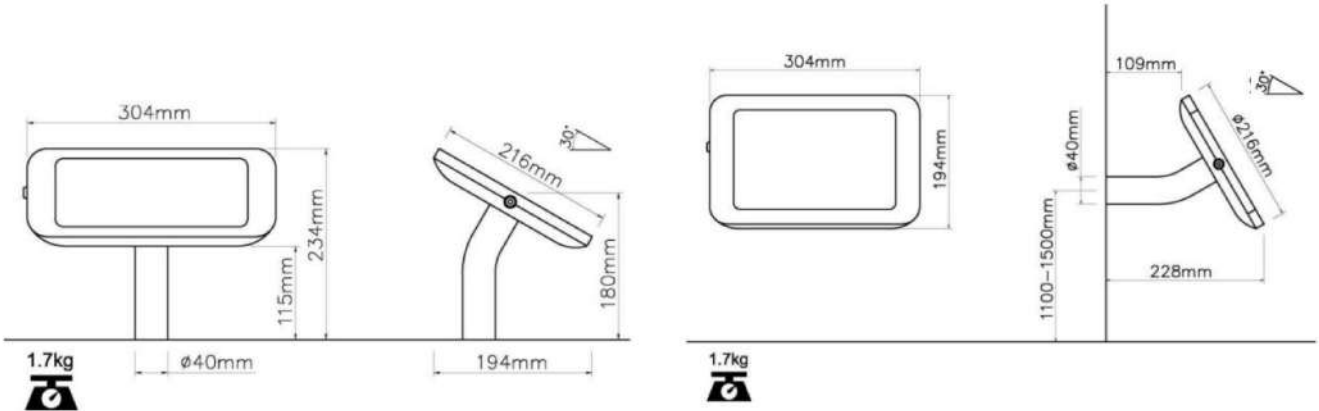
**Wall mount.** This short, 90° tube allows for easy configuration onto a solid or partition wall. When sold in a kiosk bundle, the wall mount is supplied with the 'screw mounting base' to allow for simple installation to solid walls.



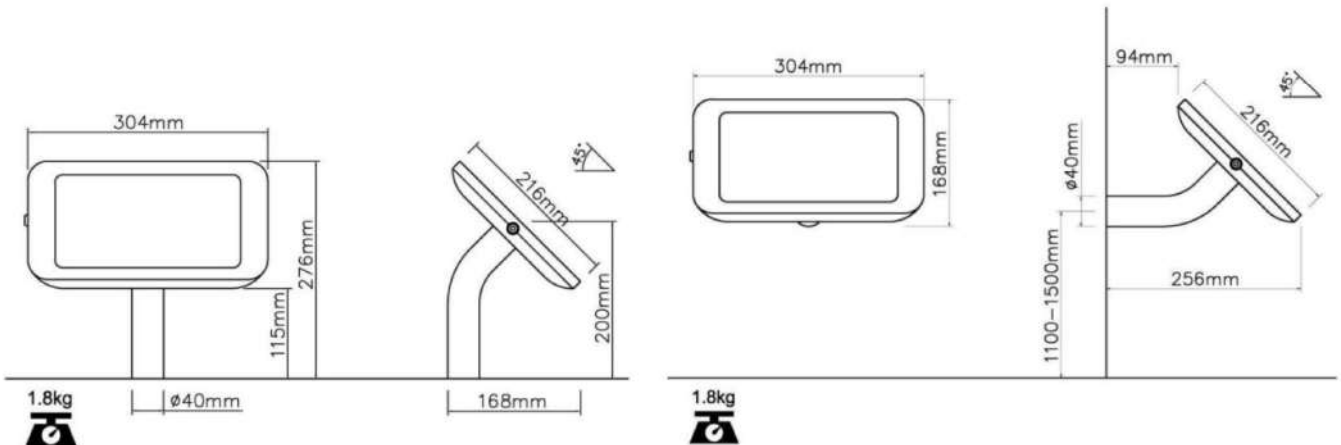
## Mounting options

There are various mounting options for all three sizes of tablet enclosure. These are usually sold in a bundle with all of the components required for you to build a complete installation, but can be ordered separately if you wish to modify or upgrade your current kiosk. You can install the tablet onto the mount in a landscape or portrait orientation.

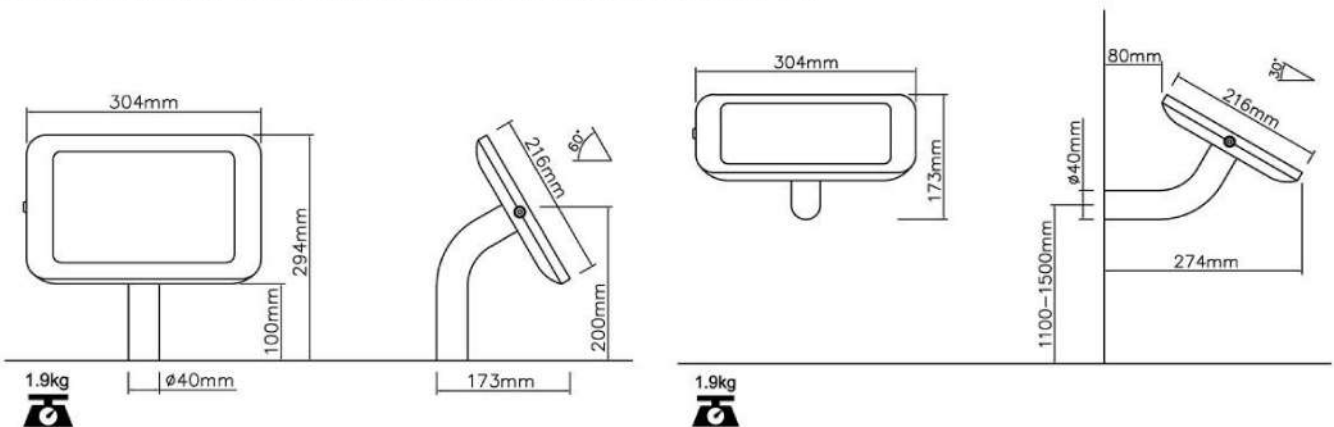
**30° mounting tube.** The 30° angled tube can be mounted onto a desk or wall and has a fairly shallow angle.



**45° mounting tube.** The 45° angled tube can be mounted onto a desk or wall and has is the best 'all round' choice for most installations. If you're not sure which mount to use, the 45° mounting tube is usually the one to go for.



**60° mounting tube.** The 60° angled tube can be mounted onto a desk or wall.



## Accessories

---



### Freestanding desk base

If you require your tablet kiosk to be mobile or simply don't want to drill holes into your desk / furniture, this base will allow you to do both. The heavy-duty steel base supports the kiosk completely without having to damage your office furniture.

### Rotating desk base

This optional base allows the user to rotate the kiosk around its lower mount point. Useful if you need to spin the kiosk round to show the screen contents to a customer. The base allows for approx. 270 degrees of motion.



### Landscape / portrait mount

This optional kiosk mount allows the user to rotate the kiosk enclosure from landscape to portrait at will. The security of the enclosure is maintained while offering the flexibility of viewing positions.



### Screw mount base

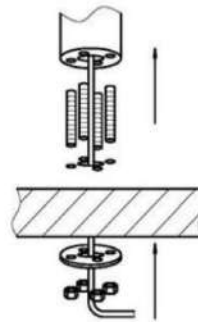
The screw mount base allows you to secure the kiosk to a wall or desk without having to drill all the way through the surface. The screw mount base screws into the surface from above, then the kiosk attaches to the screw mount base. This is particularly useful when mounting to a solid wall.



## Installation guide

### 1) Secure the mounting tube

Line up the mounting tube and mark where you want to install it. Drill 4 screw holes and the central charge cable hole through the surface. You can use the round metal strengthening plate as a template to mark on the surface where you need to drill. Screw the four double headed screws into the tube all the way, then push the tube and screws into the drill holes. *Remember the power cable has to run through the hole in the middle of the tube, so ensure the middle drill hole is wide enough to pass a USB head through.* Secure the pole from the other side of the surface with the strengthening plate and the bolts provided as per the diagram.



**NOTE!** If your surface is not between 2.5 and 4.5cm thick or you can't access the other side surface, you need a screw mount base. You can attach the screw mount base to the surface from above, then screw the mounting pole to the base. There is no need to access the surface from behind to install in this case.

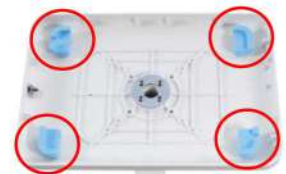
### 2) Attach the enclosure to the tube

Secure the enclosure chassis to the mount tube with the 4 x screws provided. Make sure you install the round metal strengthening plate behind the screws as highlighted in the picture. This is now a good time to ensure your charge cable is fed through the holes



### 3) Install the fit kit

Install the four corners of the fit kit onto the predefined pegs of the enclosure. Make sure you install the corners the correct orientation, allowing for any indents for power switches / power cables etc.



### 4) Install the tablet

Connect the charging lead to the tablet and slot your tablet into the 'fit kit'. The tablet should fit perfectly into the fit kit. If it is not, check you have the fit-kit corners the correct way round. If the tablet doesn't fit at all, it's possible you have a fit-kit for another tablet brand. Give us a call.



### 5) Lay the face plate over the tablet

Peel the protective brown tape layer off the faceplate. Lay the plate on top of the tablet, ensuring it's on the right way round. The camera and home buttons (if selected) should clearly be in the correct place.



### 6) Install and lock the front metal enclosure plate

There are two hooks on the underside of the metal plate which should line up the appropriate receptacles on the rear part of the enclosure. Slot these in and pivot the rest of the metal plate down onto the enclosure, then press the barrel lock in to lock the face plate in place. Insert the key into the barrel lock and rotate to release the lock and allow the metal plate to be removed again.



Hook the metal front plate here.

