

BOSSTAB Edge Evo Floor Stand

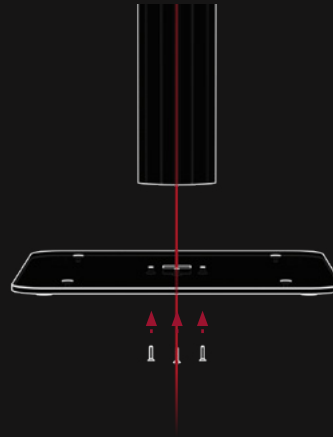
Getting started guide



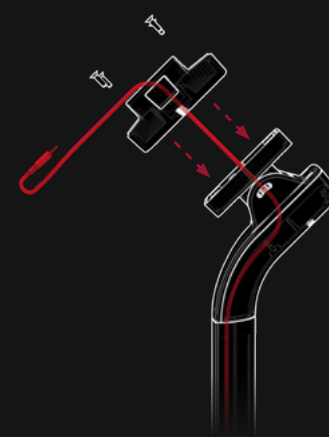
1. Feed cable up through the hinge pole. Ensure enough length is fed through to easily plug into your tablet.



2. Slide the hinge pole onto the base pole while feeding the cable through. Screw in (A) grub screws to secure.



3. Screw on baseplate with (B) screws with the charging cable running underneath.



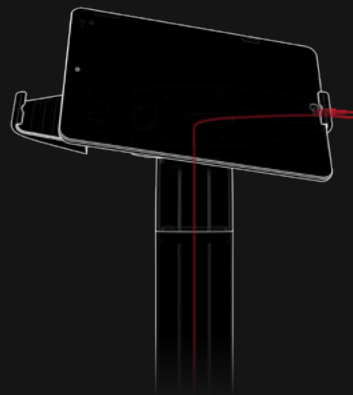
4. Locate the Edge case and attach to the hinge and screw in the (D) screws to secure.



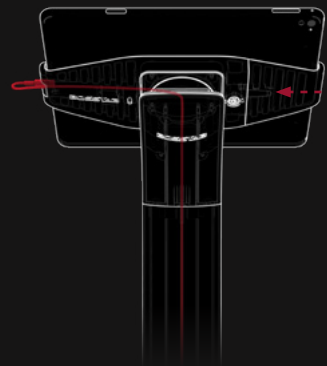
5. Unlock the security lock with the L shape key and slide the clamp out.



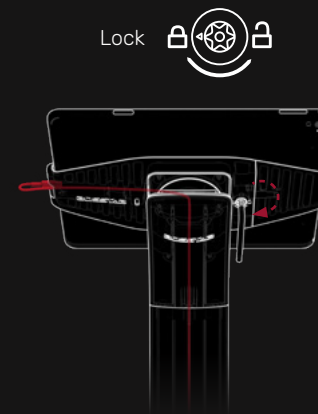
6. If you are running a charging cable through the stand, remove the cable cover clip before step 7.



7. Plug in the charging cable and squeeze the tablet into the clamp with the cable running behind the tablet.



8. Re-attach the clamp arm by sliding in and squeezing tablet.

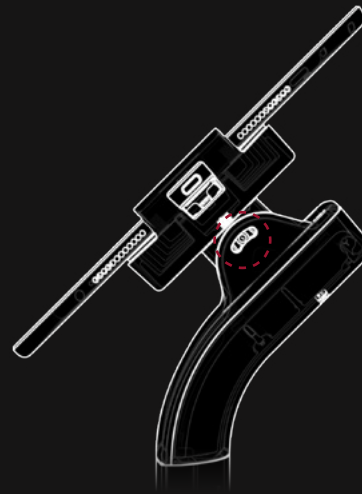


9. Remain holding clamp together until you have rotated the security lock with the L shape key into the lock position.



Rotation Lock

To lock rotation, remove Edge case and screw **E** lock screw as shown to lock. Then attach the case in desired position.



Tilt Adjustment Lock

Using Allen key provided, tighten screw at desired angle to lock in position.