

# BOSSTAB Elite Evo Floor Stand

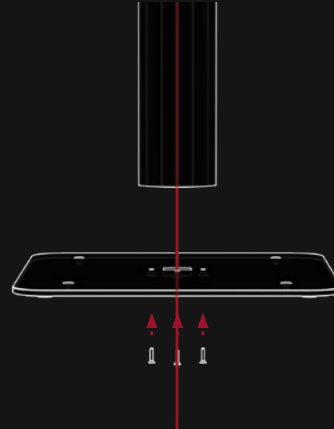
## Getting started guide



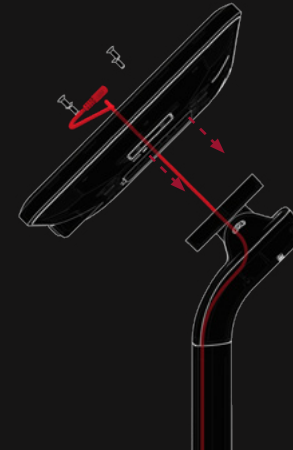
1. Feed cable up through the hinge pole. Ensure enough length is fed through to easily plug into your tablet.



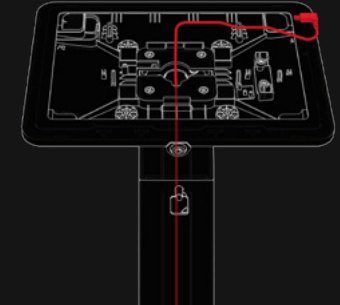
2. Slide the hinge pole onto the base pole while feeding the cable through. Screw in (A) grub screws to secure.



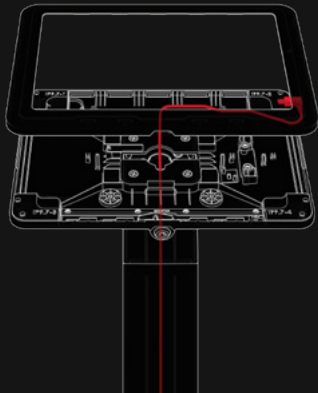
3. Screw on baseplate with (B) screws with the charging cable running underneath.



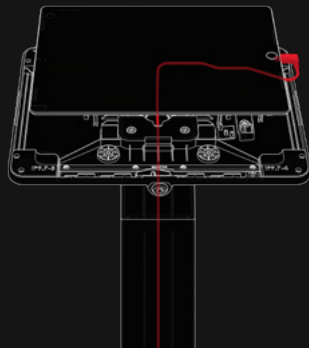
4. Locate the Elite case and attach to the hinge and screw in the (D) screws to secure.



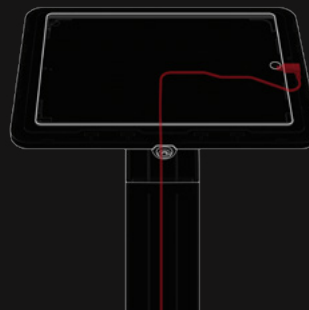
5. Unlock case with keys provided.



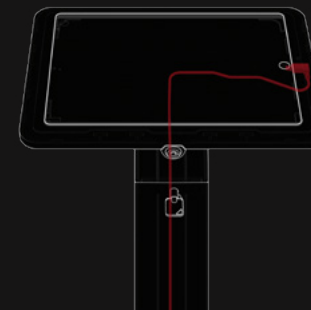
6. Remove the faceplate.



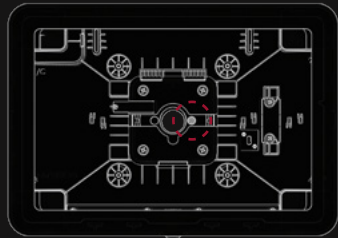
7. Plug in your tablet while placing it into the case.



8. Place faceplate back on the case.

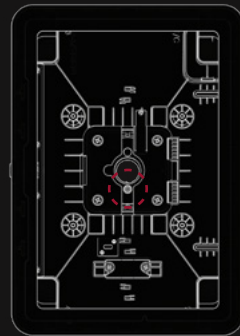


9. Lock the faceplate with keys provided before use.



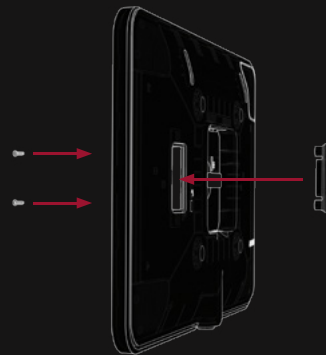
**Landscape Rotation Lock**

Place case on the pole in a landscape position and screw (E) lock screw as shown to lock in place.



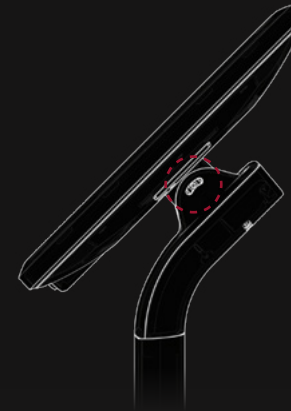
**Portrait Rotation Lock**

Place case on the pole in a portrait position and screw (E) lock screw as shown to lock in place.



**Cable Cutout**

Unscrew existing closed cable cutout and install the open cable cutout included with stand.



**Tilt Adjustment Lock**

Using Allen key provided, tighten screw at desired angle to lock in position.